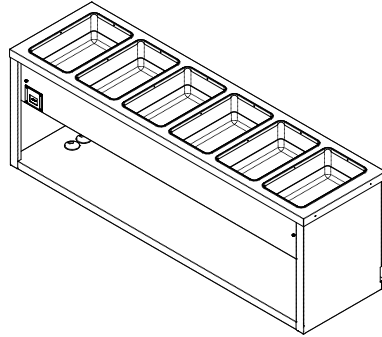




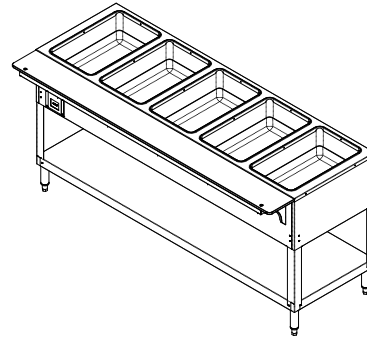
Your Solutions Partner

Illustrated Parts List GANGED WATERLESS WELL MODELS

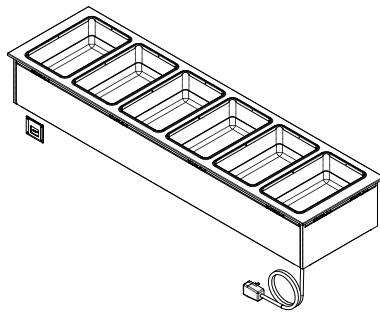
Aero Serve



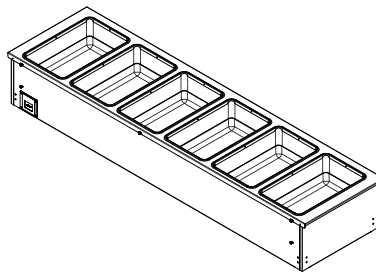
Aerohot



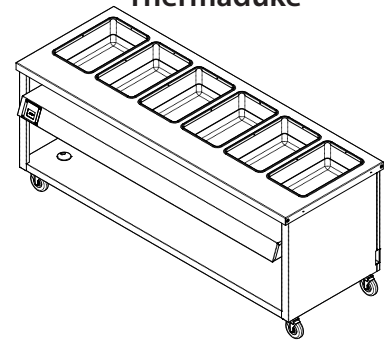
Drop-Ins



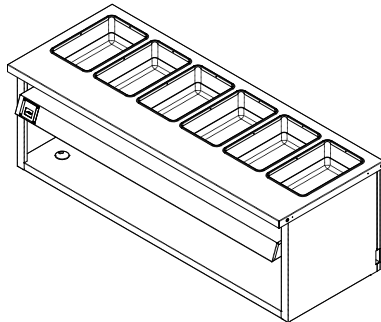
Slide-Ins



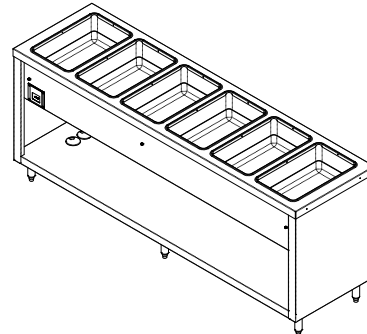
Thermaduke



Thermaduke Deluxe



Thermaduke Steam Tables



*This manual is Copyright © 2023 Duke Manufacturing Co. All rights reserved.
Reproduction without written permission is prohibited. Duke is a registered
trademark of the Duke Manufacturing Co.*

Duke Manufacturing Co.

2305 N. Broadway • St. Louis, MO 63102

800.735.3853 • 314.231.1130

Fax: 314-231-5074

www.dukemfg.com

How to Determine Manufacture Date from Duke Equipment Serial Numbers

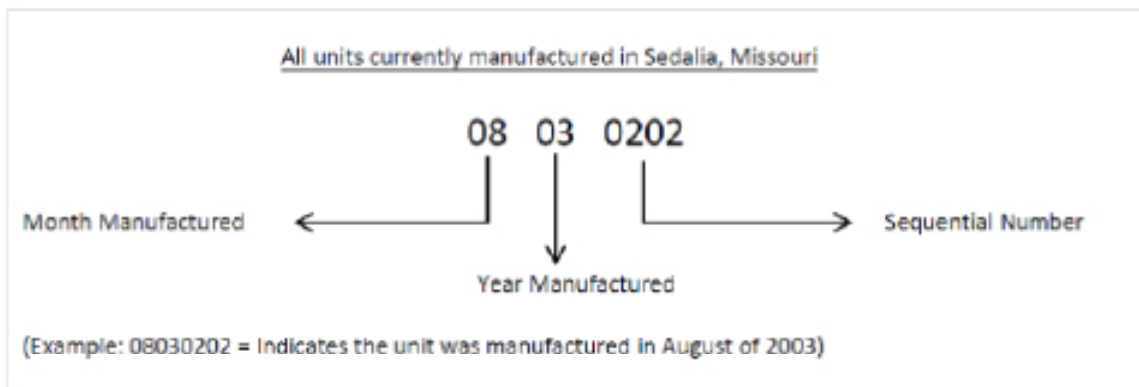
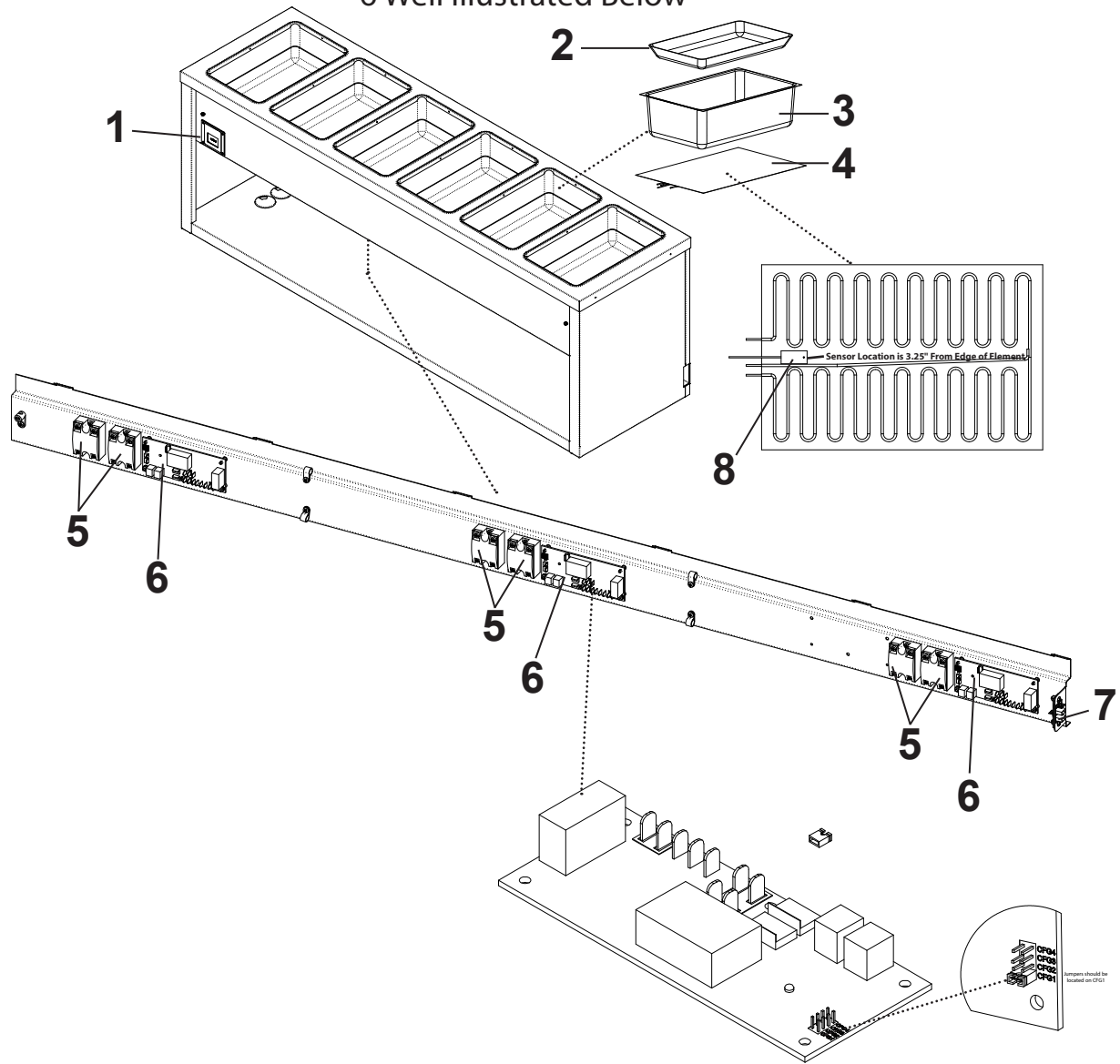


TABLE OF CONTENTS

Ganged Waterless Graphics & Part Numbers	4
Wire Harness Graphics & Part Numbers	5
Wire Harness Graphics & Part Numbers	6
Hardware Graphics & Part Numbers	7
Wiring Diagrams	8-13

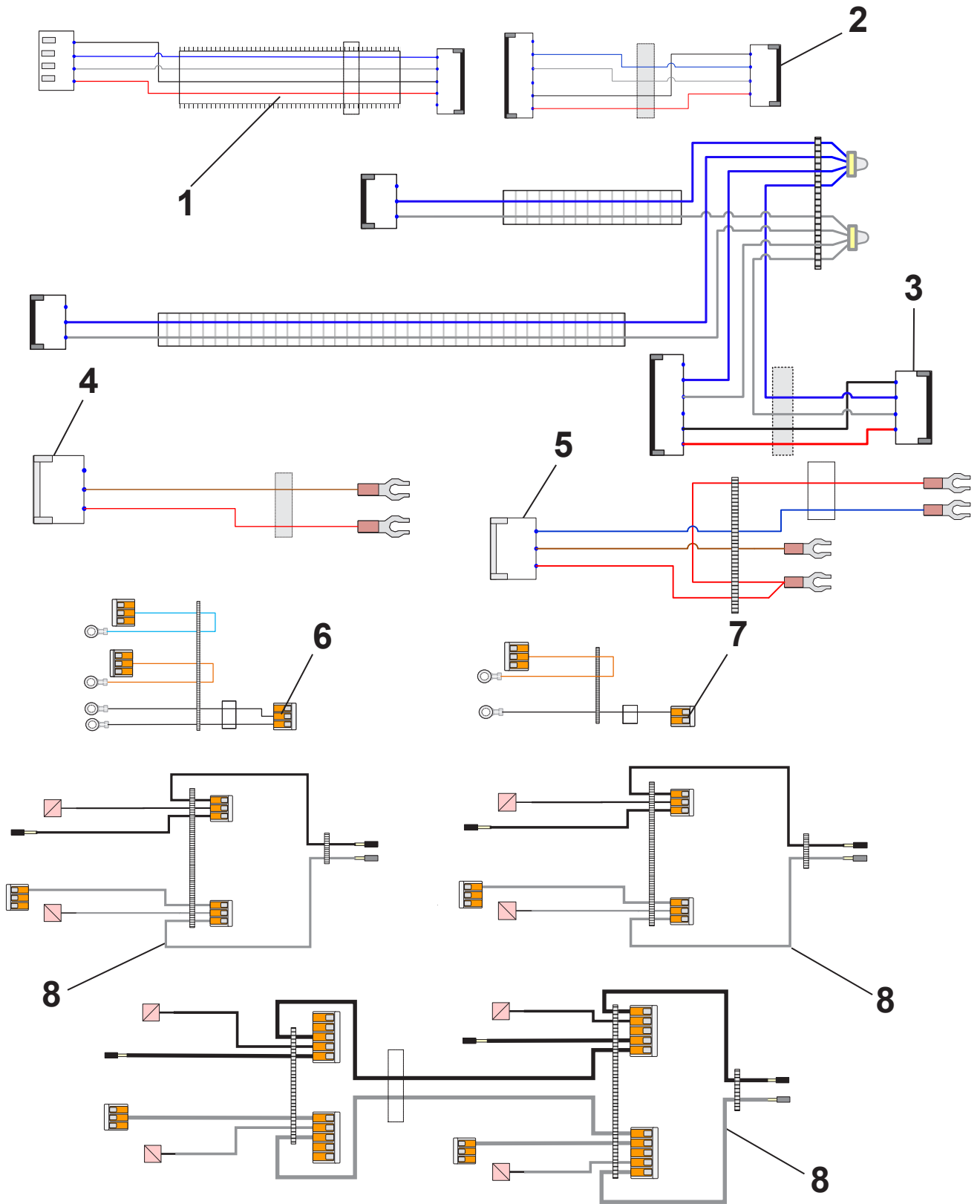
GAINGED WATERLESS WELL - GRAPHICS & PART #'S

6 Well illustrated Below



Item	Part #	Description	Qty Per Well					
			1 Well	2 Well	3 Well	4 Well	5 Well	6 Well
1	600575	Kit, loc-G Display Replacement, No Bracket	1	1	1	1	1	1
2	524860	Liner, Silicone, Heated Well, W/Logo	1	2	3	4	5	6
3	154363	Well, Ss W/O Drain 20ga.	1	2	3	4	5	6
4	524847	Heater, Foil Dual Voltage 120/208/240v 500/665w	1	2	3	4	5	6
5	120005	Ssr, 25a 3-30vdc Trigger	1	2	3	4	5	6
6	600561	Kit, loa Board Replacement	1	1	2	2	3	3
7	ELC0402K	Kit, Pcb Can Bus Replacement	1	1	1	1	1	1

WIRING HARNESS - PARTS LISTING

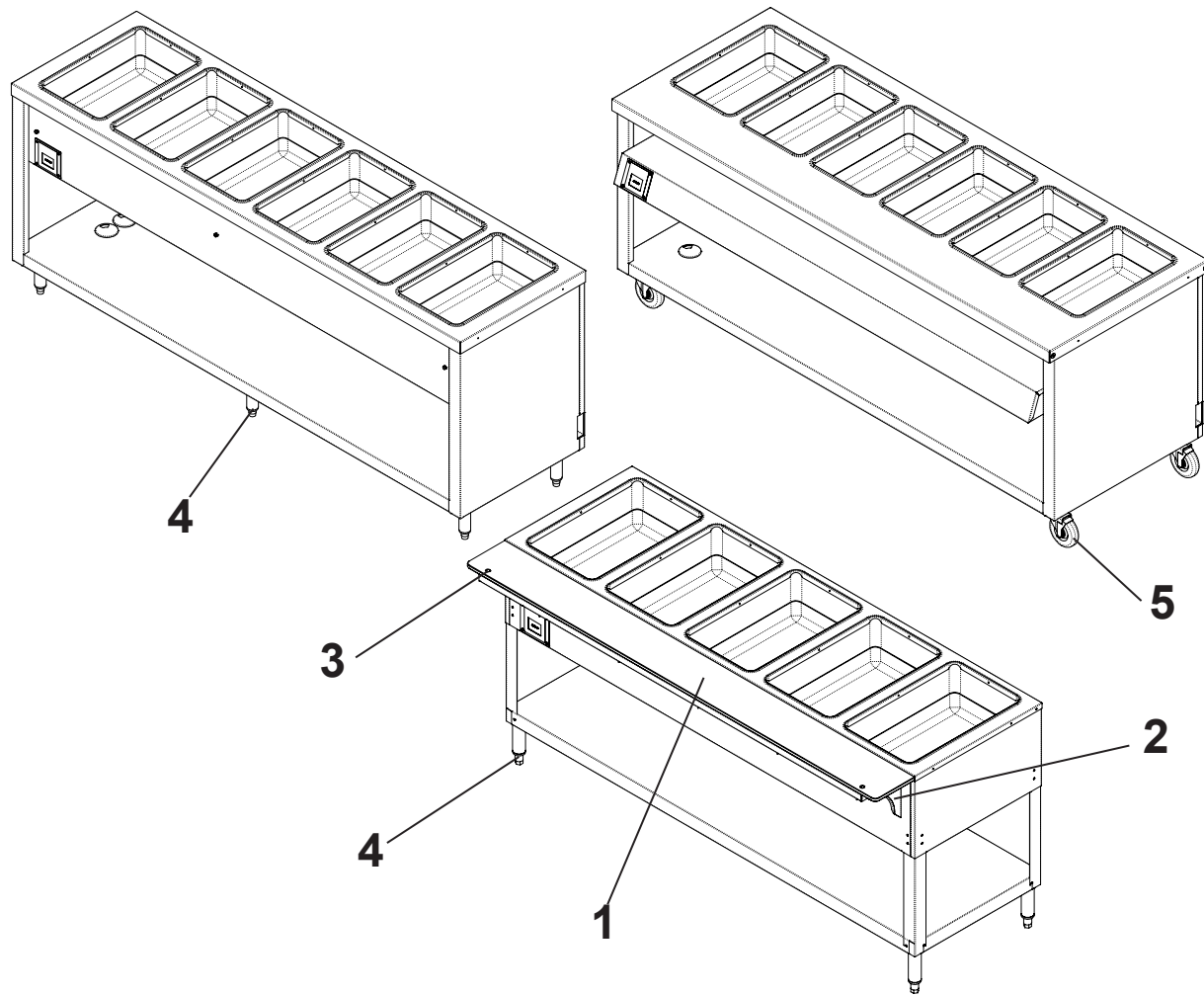


WIRING HARNESS - PARTS LISTING

* Needed Length Per Control Distance

Item	Part #	Description	Qty Per Well					
			1 Well	2 Well	3 Well	4 Well	5 Well	6 Well
*1 BI/SI	ELC0722	Harness Box To loc-G 12"	opt	opt	opt	opt	opt	opt
	ELC0723	Harness Box To loc-G 24"	opt	opt	opt	opt	opt	opt
*1 DI	ELC0440	Harness - Box To loc-G Pcb 36"	opt	opt	opt	opt	opt	opt
	ELC0621	Harness – Box To loc-G Pcb 48"	opt	opt	opt	opt	opt	opt
	ELC0625	Harness – Box To loc-G Pcb 72"	opt	opt	opt	opt	opt	opt
	ELC0626	Harness – Box To loc-G Pcb 96"	opt	opt	opt	opt	opt	opt
2	ELC0543	Jumper-Can & 5v	1		1		1	
3	ELC0717	Harness Control loa Dual To Can Inclusion			1	1		
	ELC0718	Harness Control loa Triple To Can Inclusion					1	1
4	ELC0714	Harness Ssr Single 9"		1	1	2	2	3
5	ELC0715	Harness Ssr Dual 9" And 12"		1	1	2	2	3
6	ELC0713	Harness Heat Dual 10"	1		1		1	
7	ELC0712	Harness Heat Single 10"	1	1	2	2	3	3

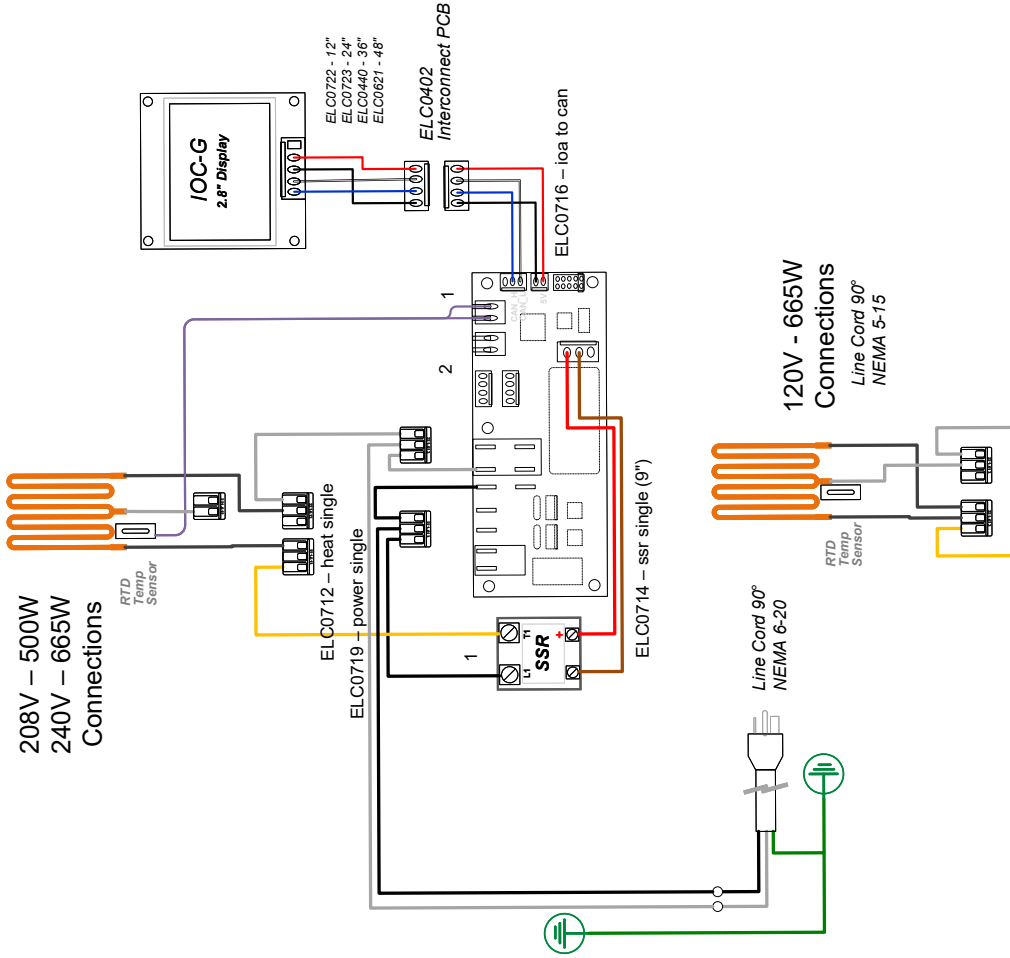
HARDWARE - PARTS LISTING



Item	Part #	Description	Qty Per Well					
			1 Well	2 Well	3 Well	4 Well	5 Well	6 Well
1	215301	Board,Crv Poly 30.375x7x1/2"--So Specs For 2 Section		1				
	215302	Board,Crv Poly 44.375x7x1/2"--So Specs For 3 Section			1			
	215303	Board,Crv Poly 58.375x7x1/2"--So Specs For 4 Section				1		
	215304	Board,Crv Poly 72.375x7x1--So Specs For 5 Section					1	
2	215574	2,3,4 Sec Carv. Bd Box--So Specs Fixed For 7" Wide Incl: All Hardware (For 2,3,And 4 Sec)		1	1	1		
	215575	Box,5 Sec. Crv Board Pack					1	
3	214728	Stud,Position Ss Carv Brd Set Screw Length- 5/8"		2	2	2	3	
4	215587	Standard Elec. Fw Leg Box--So Specs Incl: (4) Angle Legs Incl: (4) Legs And Feet Incl: All Hardware		1	1	1	1	
	214508	Leg,Ss 1-5/8"X6" Adj.	AR	AR	AR	AR	AR	AR
5	214535	Caster,5" W/Brk Swivel(6" Load Height,Plate,Polyure, 300 Lbs Per Caster		4	4	4	6	6

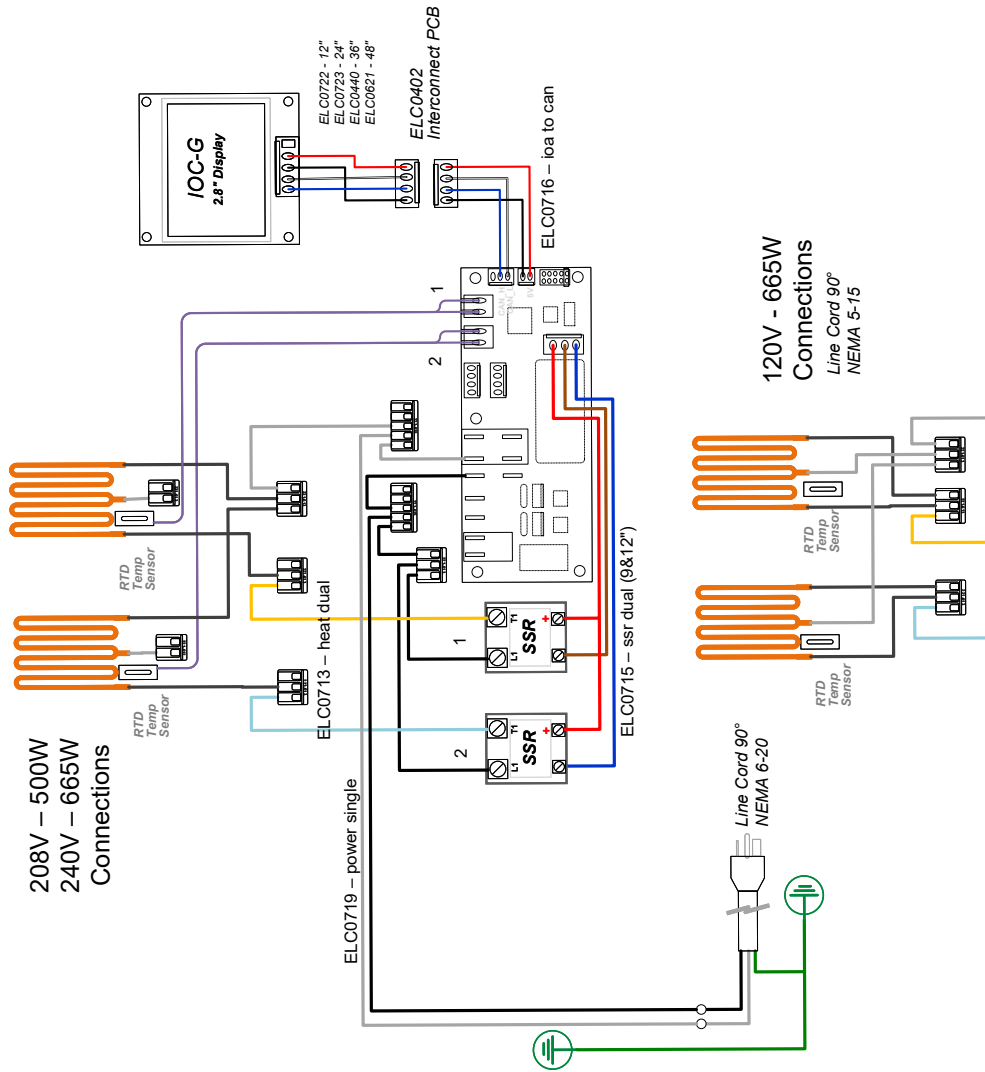
1 WELL - WIRING DIAGRAM

1 sec FW / INCLUSION WATERLESS WELL WIRING DIAGRAM – IOA / IOC-G – Single Phase



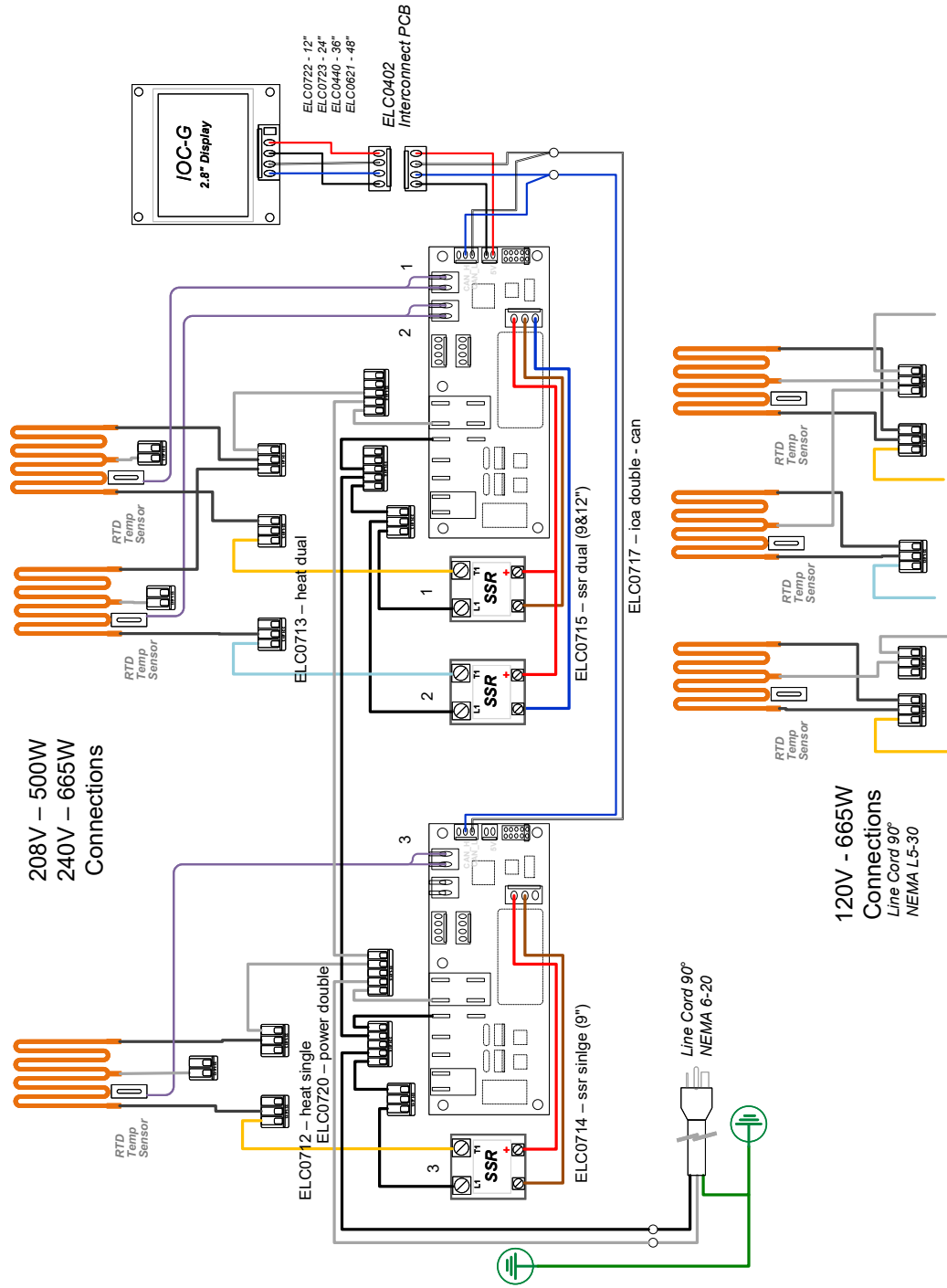
2 WELL - WIRING DIAGRAM

2 sec FW / INCLUSION WATERLESS WELL WIRING DIAGRAM – IOA / IOC-G – Single Phase



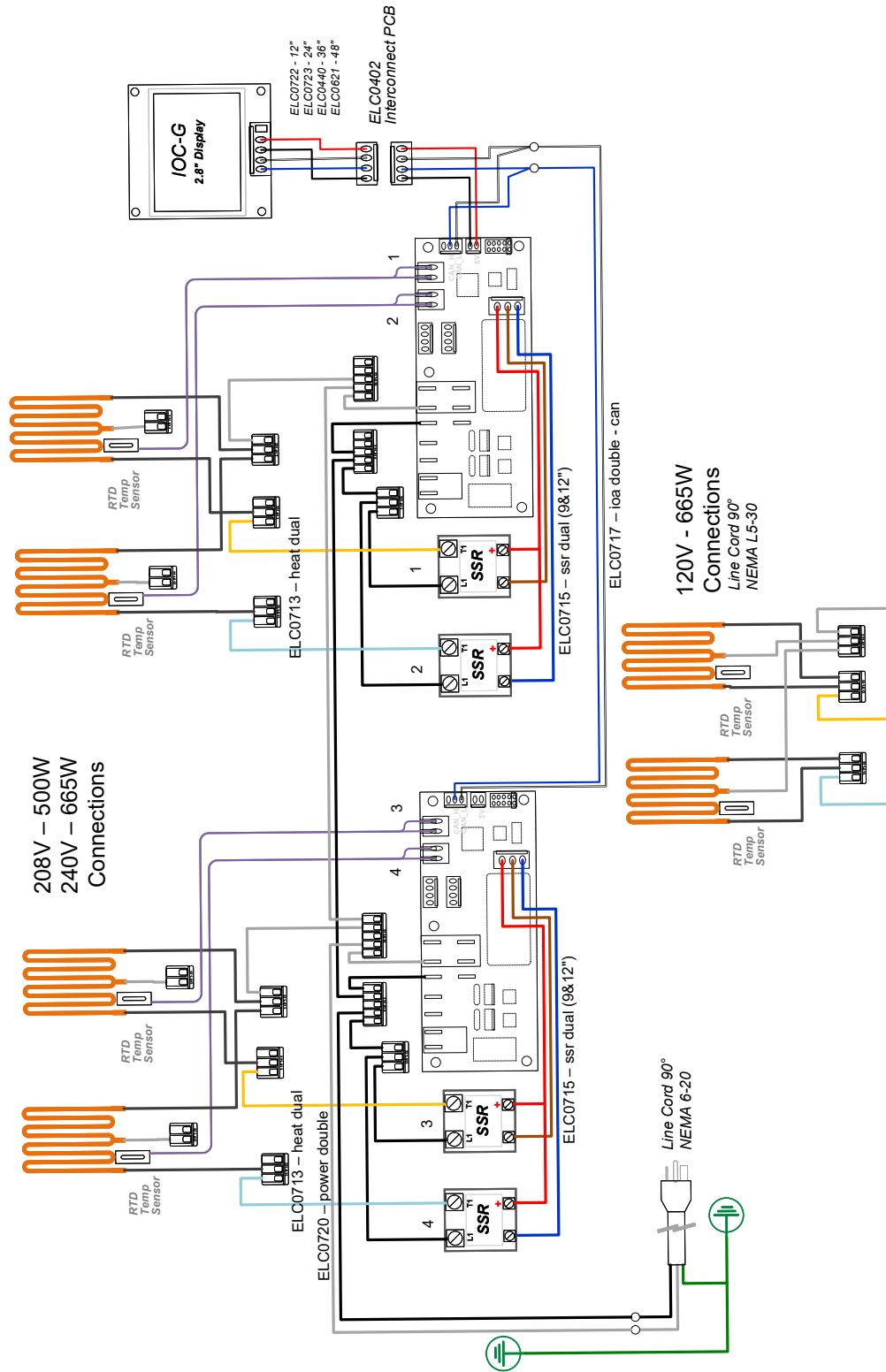
3 WELL - WIRING DIAGRAM

3 sec FW / INCLUSION WATERLESS WELL WIRING DIAGRAM – IOA / IOC-G – Single Phase



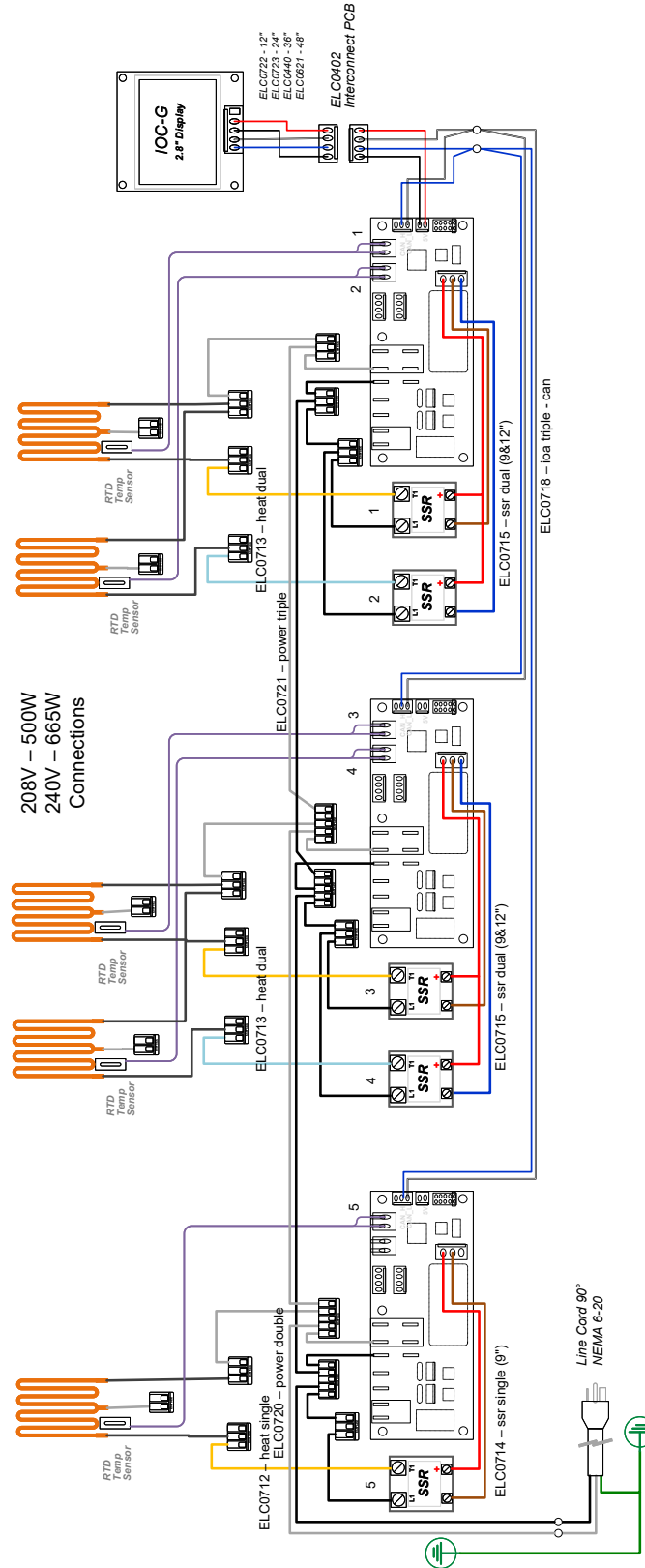
4 WELL - WIRING DIAGRAM

4 sec FW / INCLUSION WATERLESS WELL WIRING DIAGRAM – IOA / IOC-G – Single Phase



5 WELL - WIRING DIAGRAM

5 sec FW / INCLUSION WATERLESS WELL WIRING DIAGRAM – IOA / IOC-G – Single Phase



NOTES



Your Solutions Partner

Duke Manufacturing Company

**2305 N. BROADWAY
ST. LOUIS, MO 63102
PHONE: 314-231-1130
TOLL FREE: 1-800-735-3853
FAX: 314-231-5074
WWW.DUKEMFG.COM**